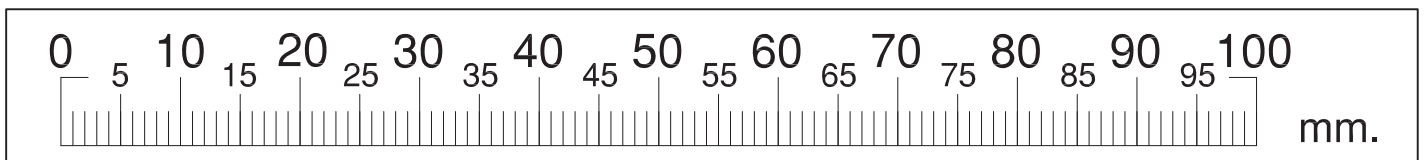
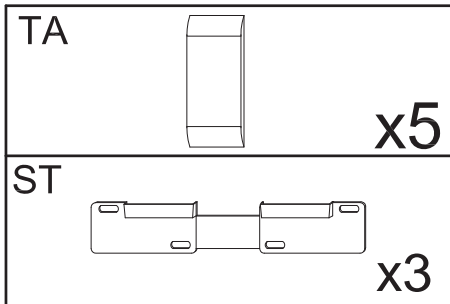
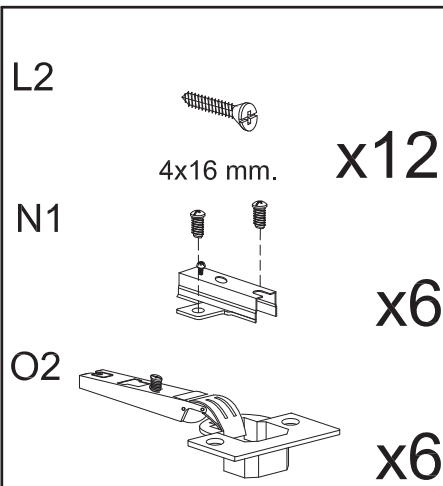
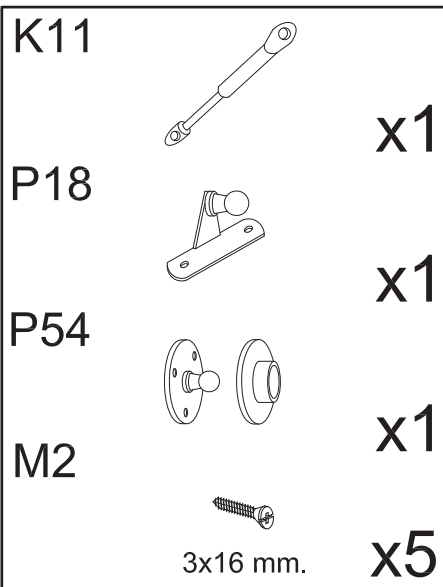
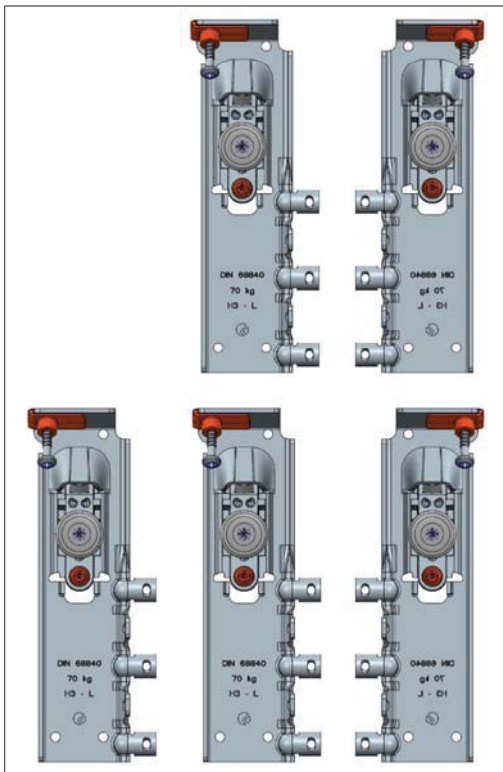
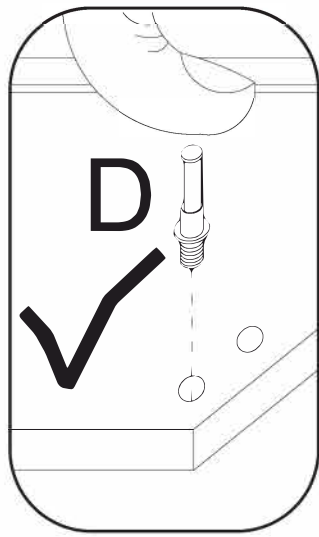
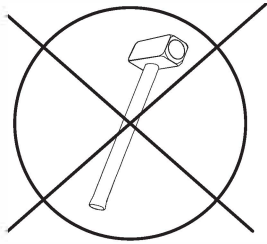



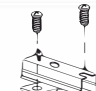
AT

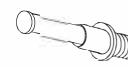



1




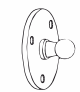
B		x12
8x30 mm.		

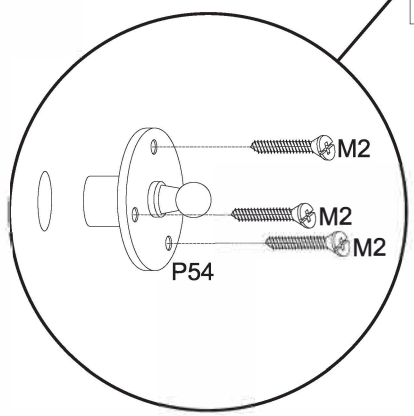
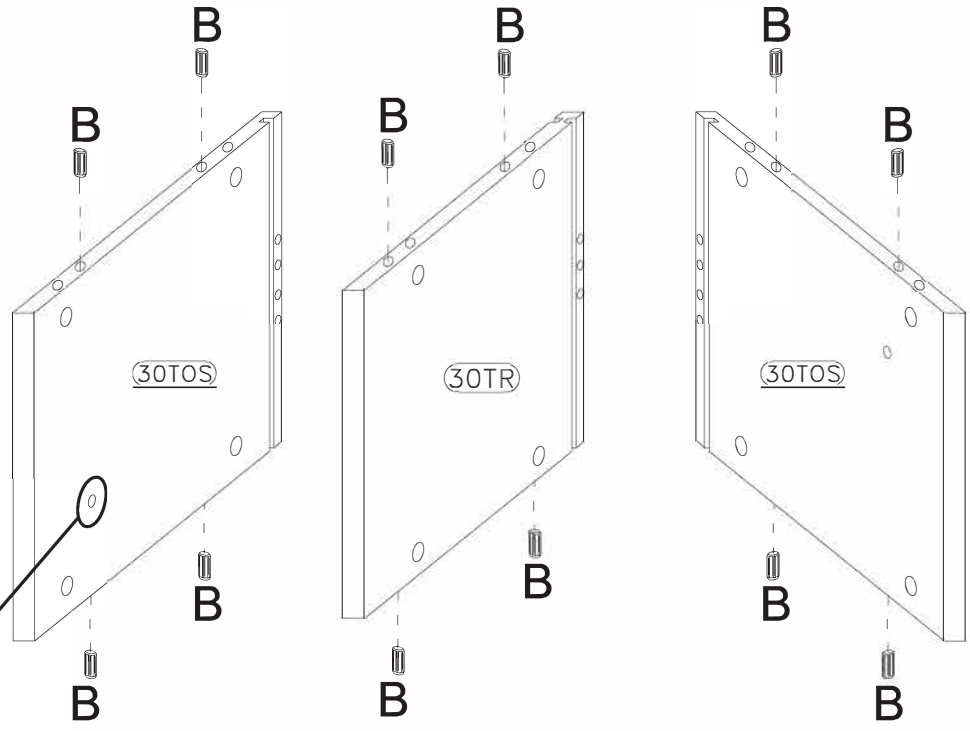
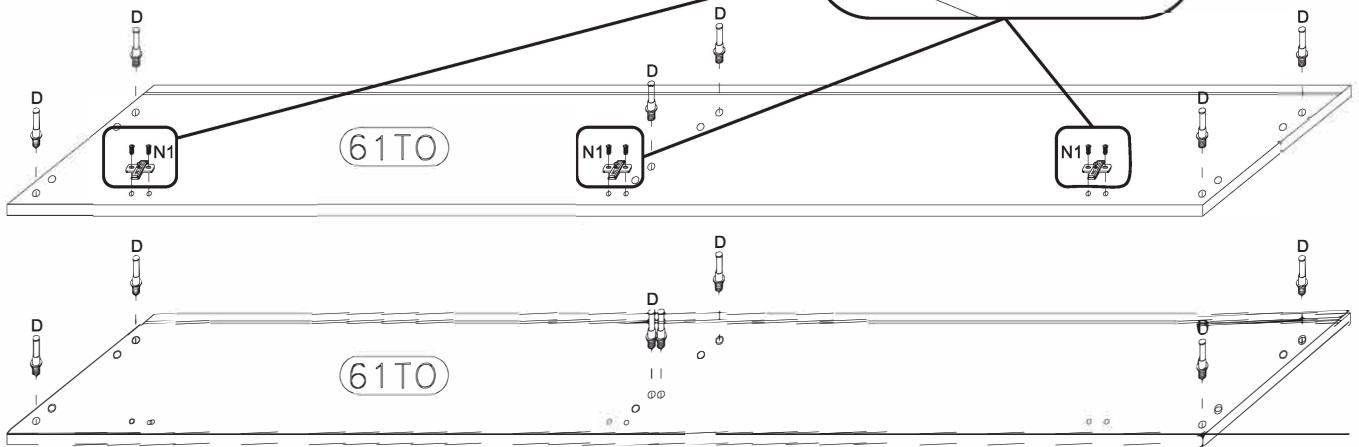
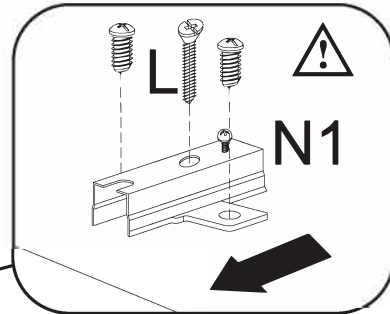
N1		x3
-----------	--	-----------

D		x12
----------	--	------------

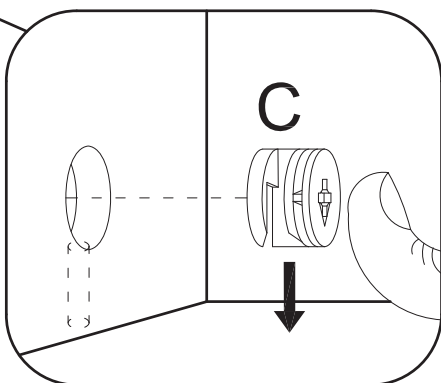
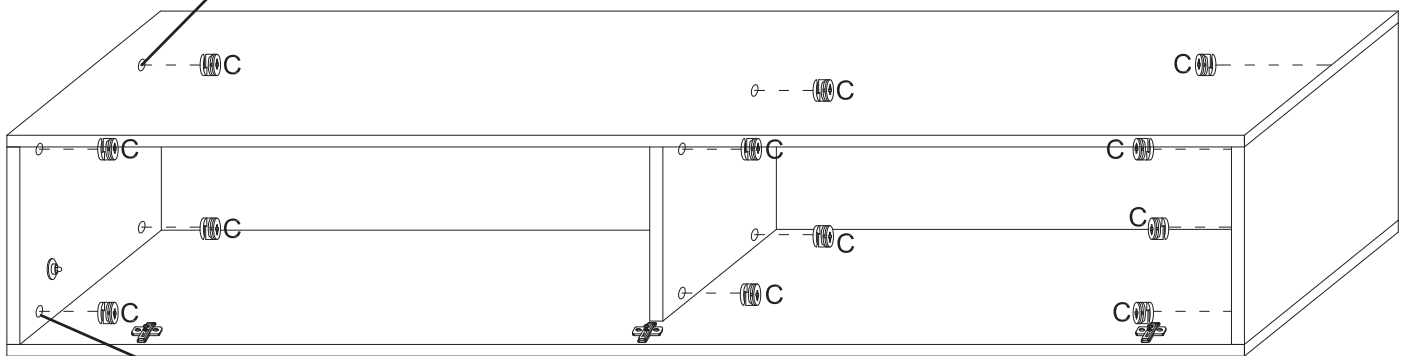
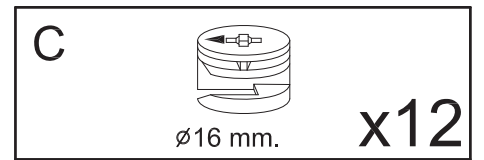
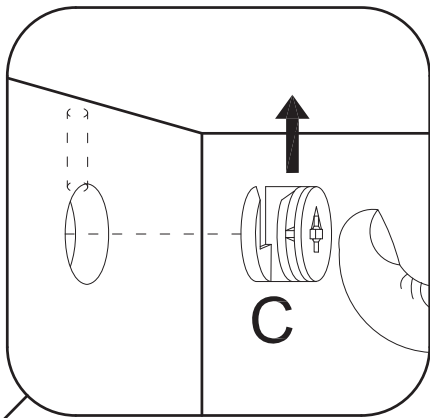
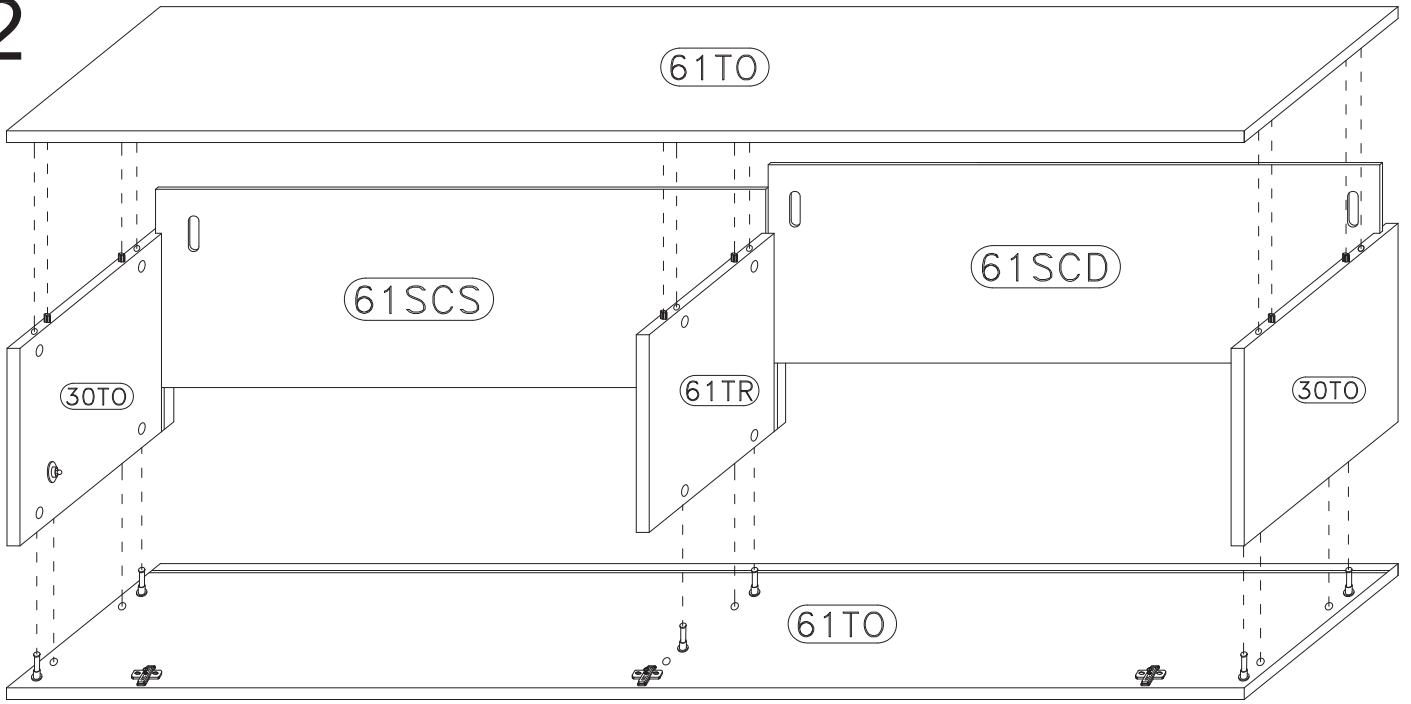
M2		x3
3x16 mm.		

L		x3
4x30 mm.		

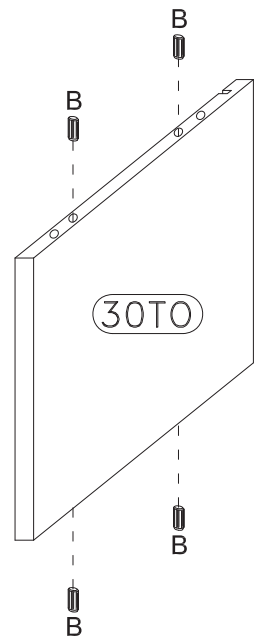
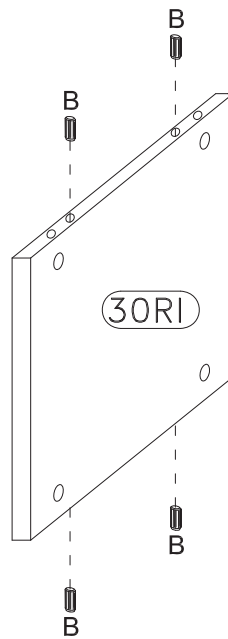
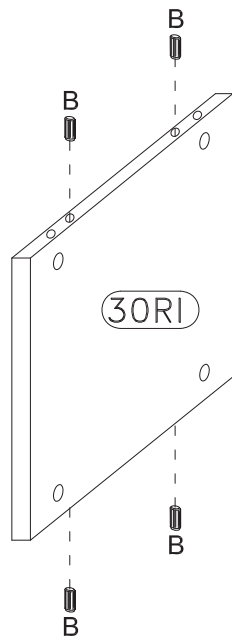
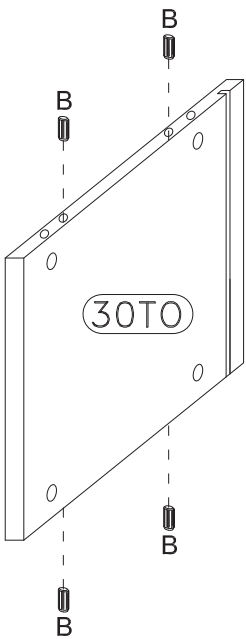
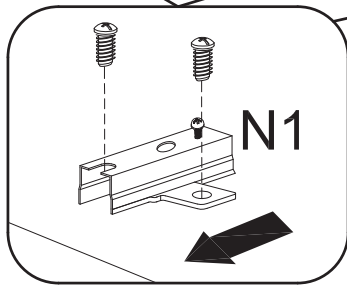
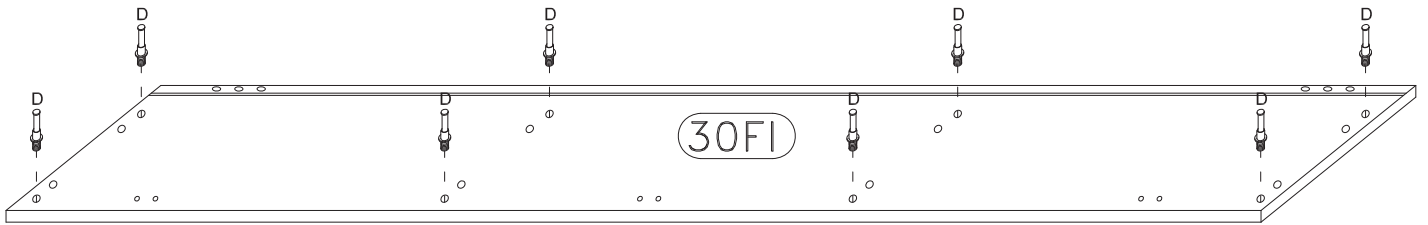
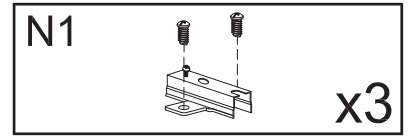
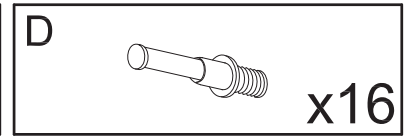
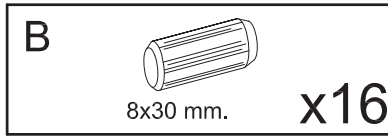
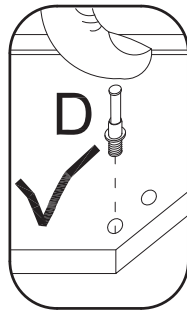
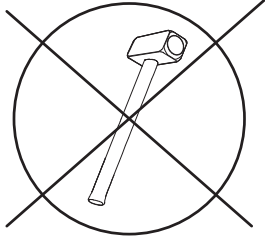
P54		x1
------------	---	-----------



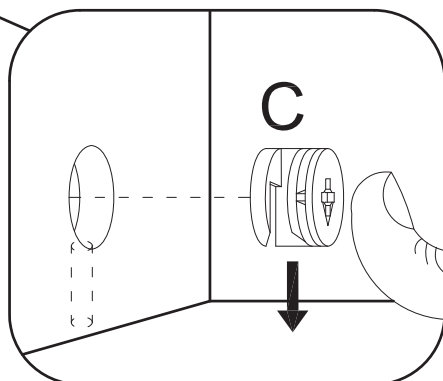
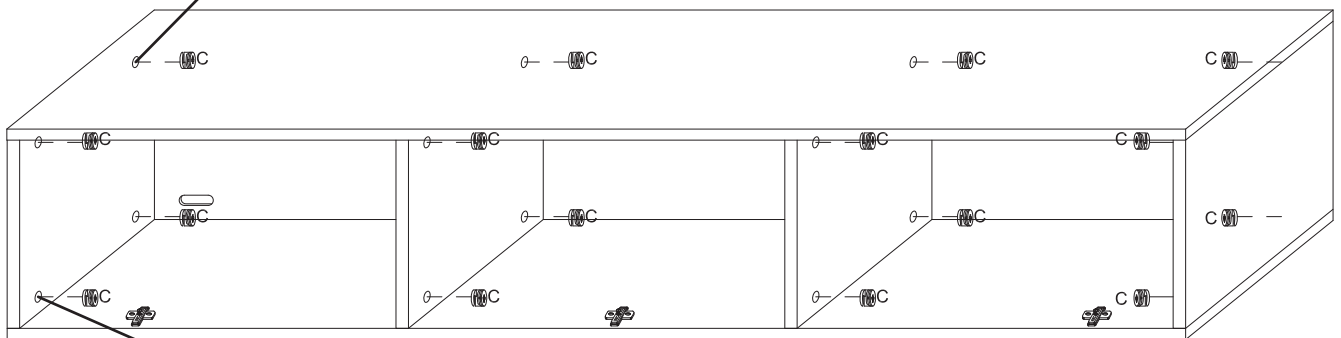
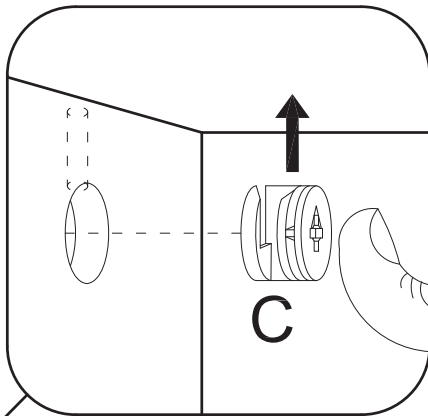
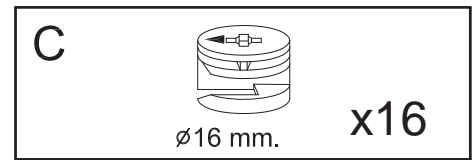
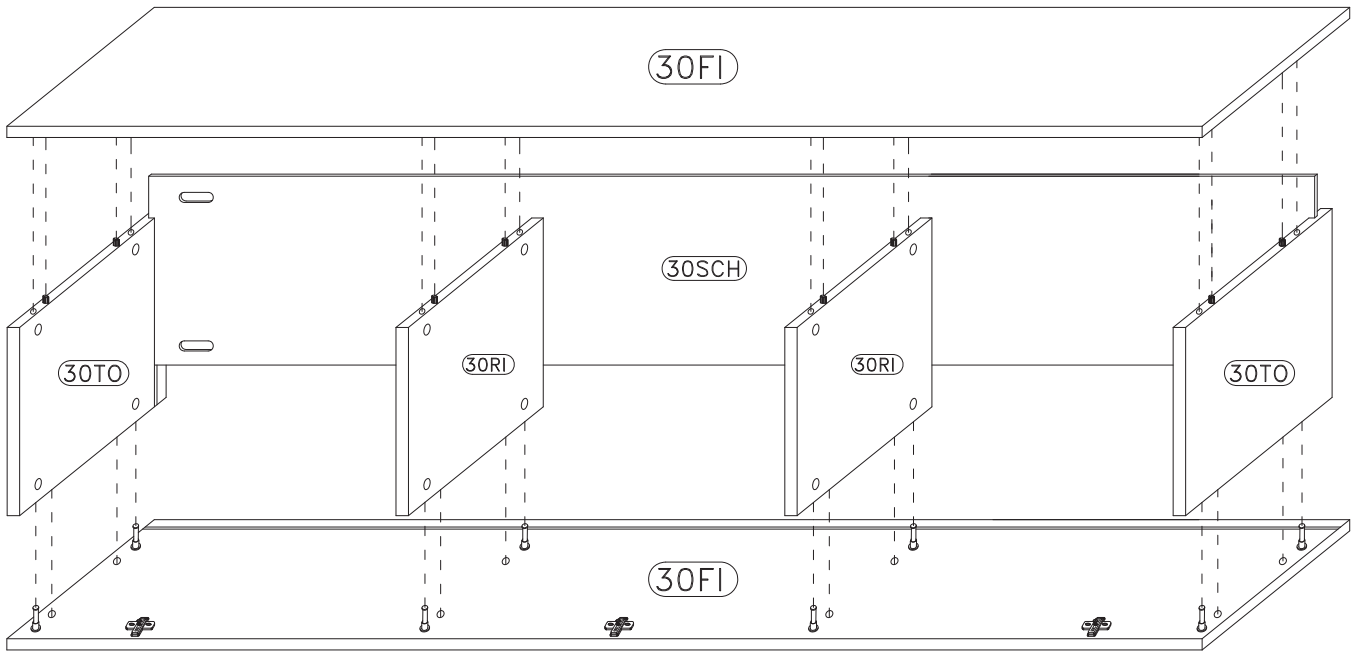
2



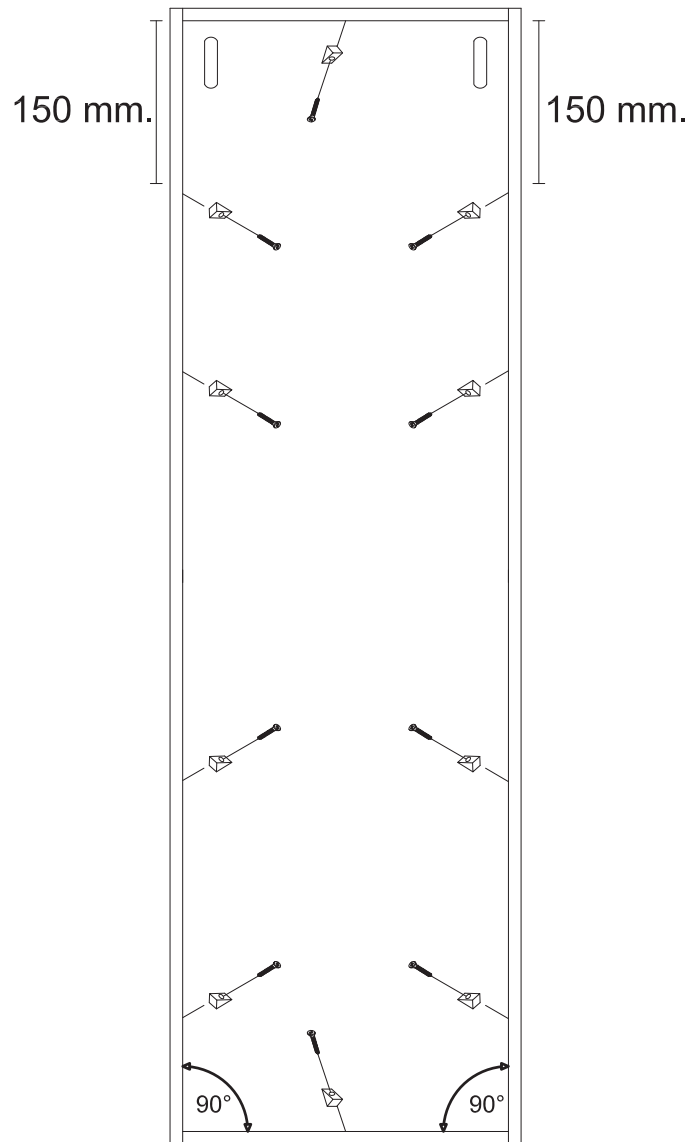
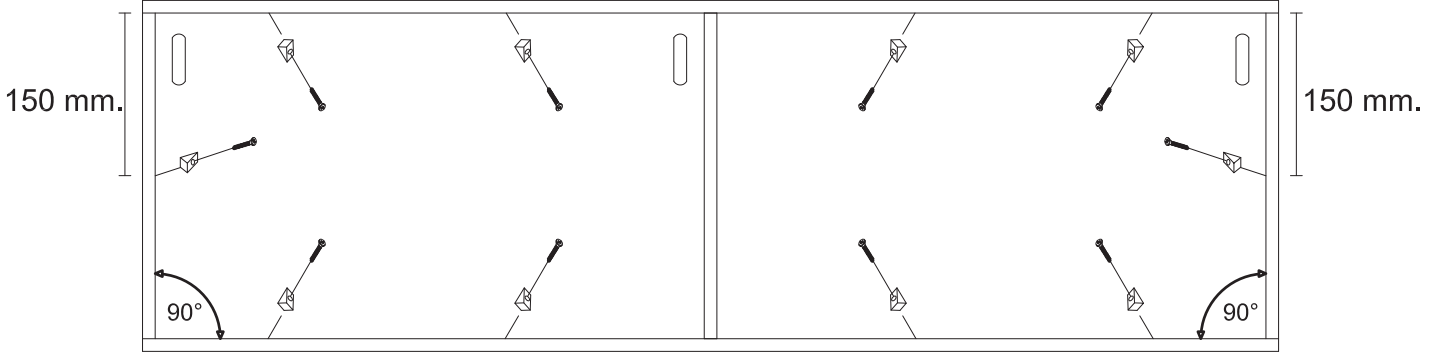
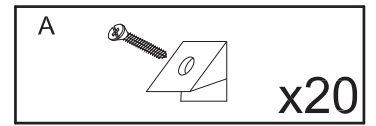
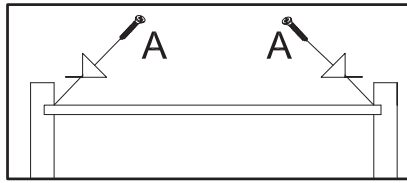
3



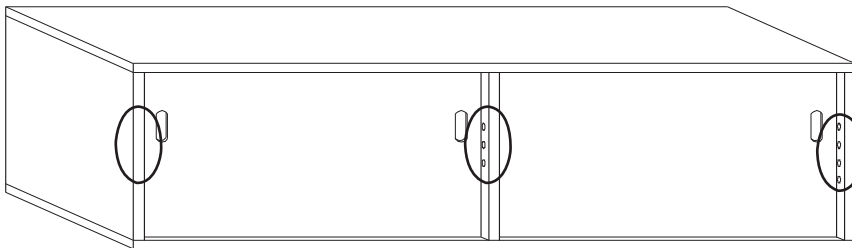
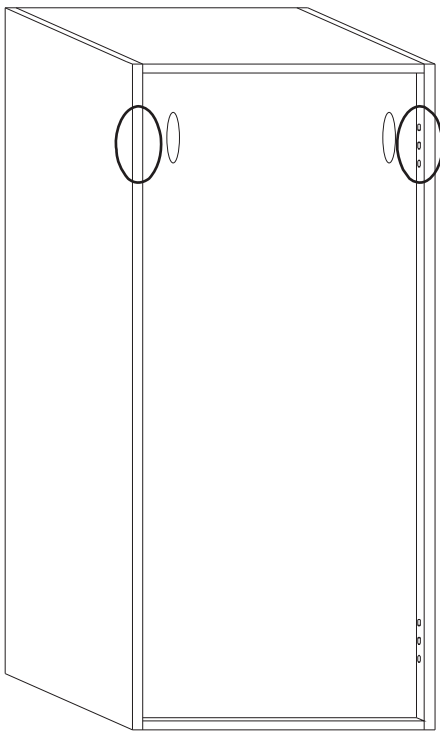
4



5



6



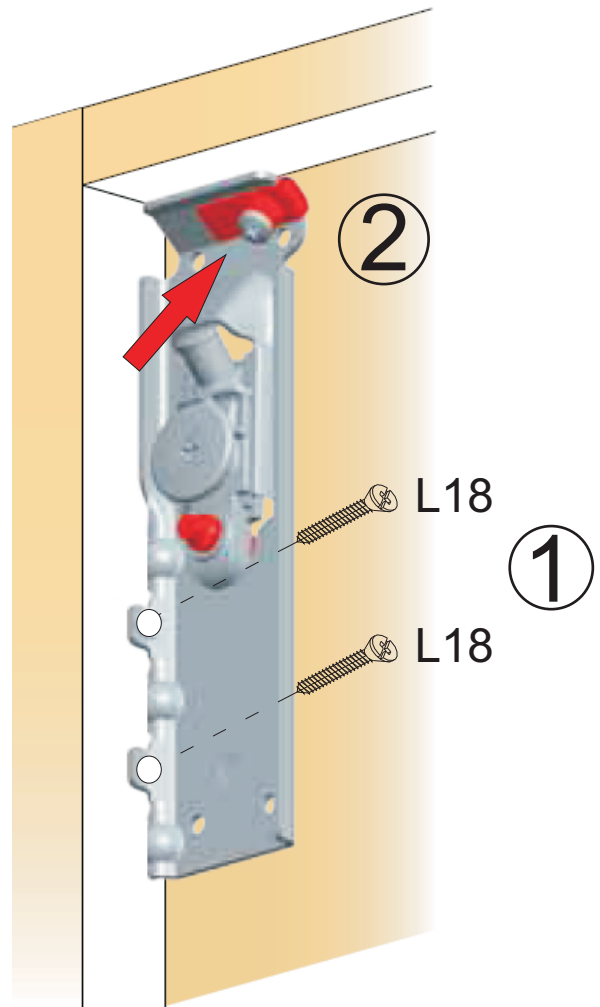
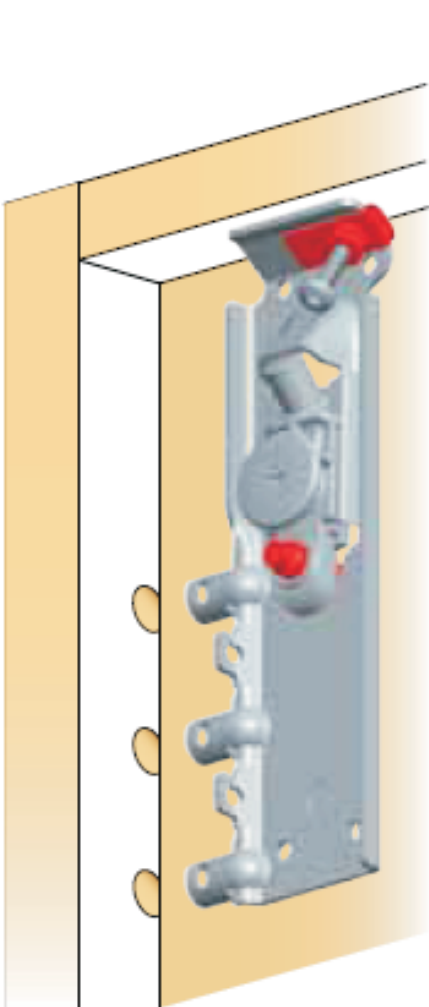
AT

x5

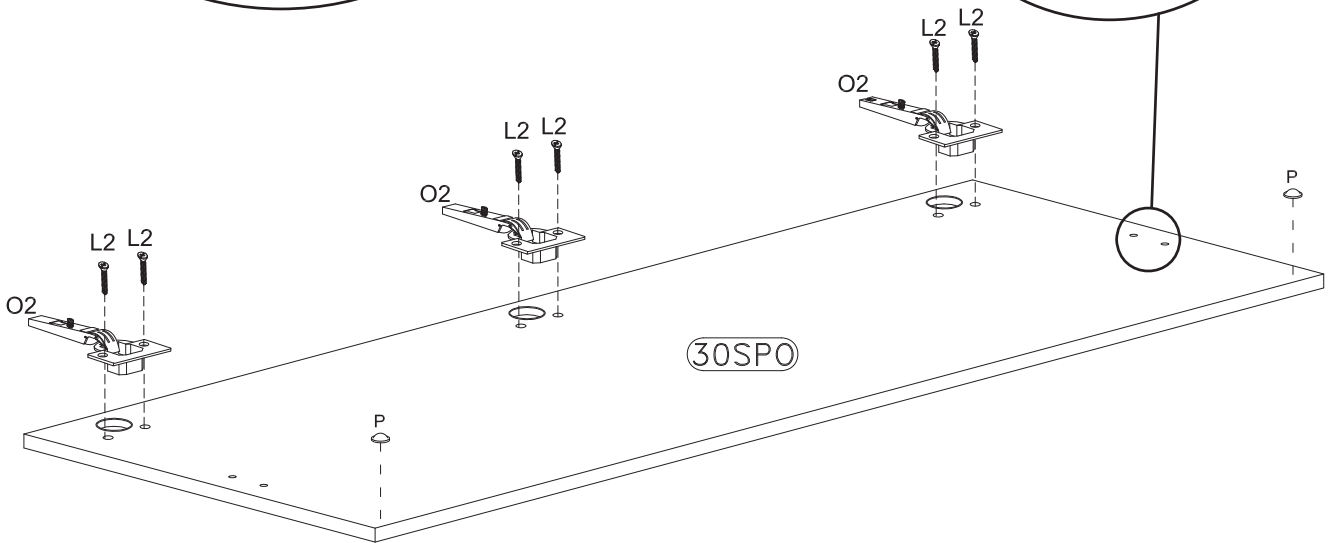
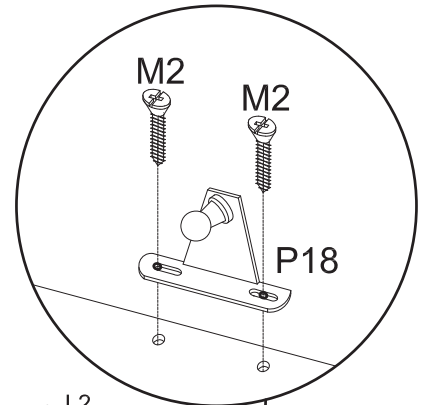
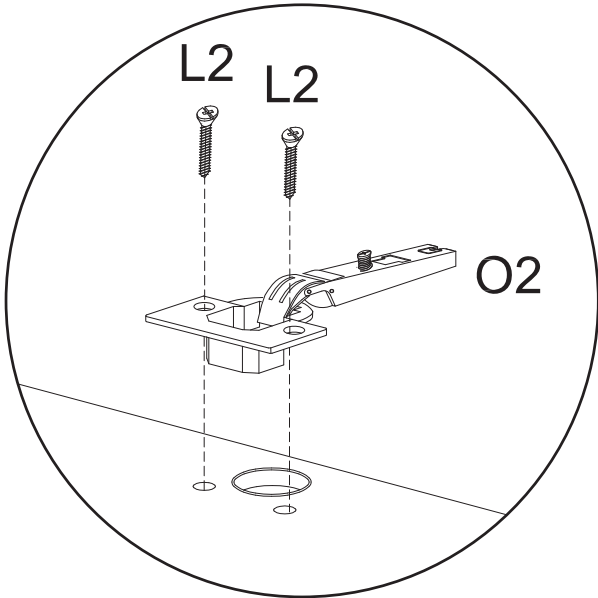
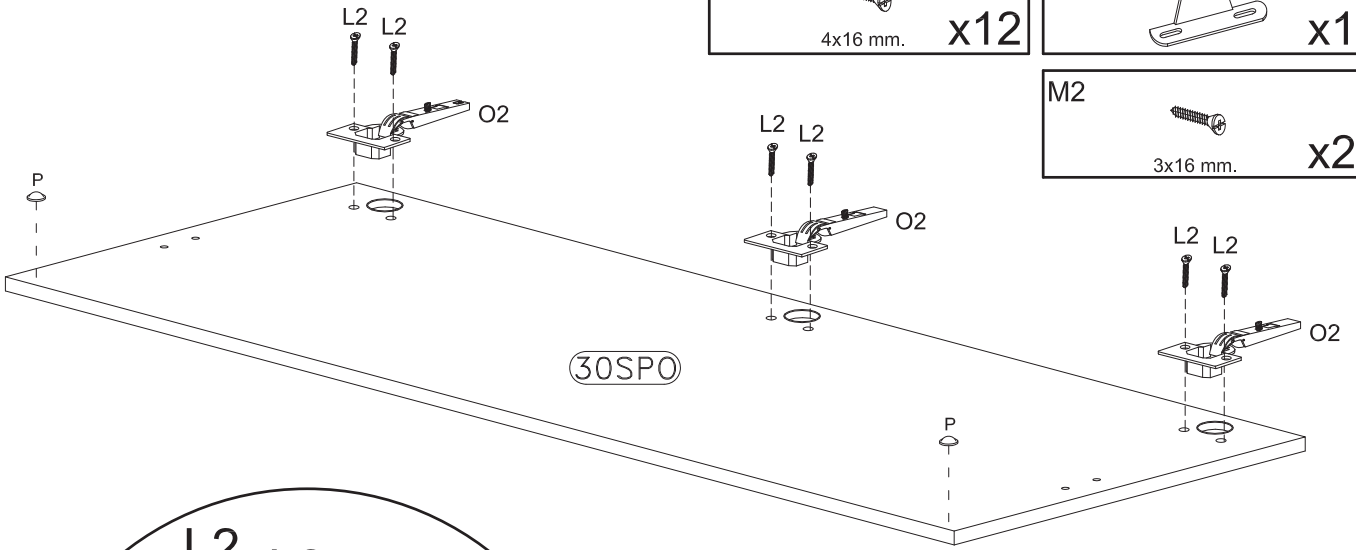
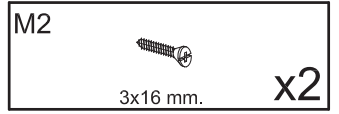
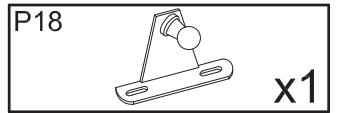
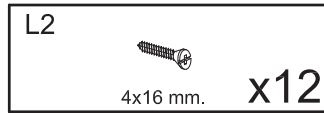
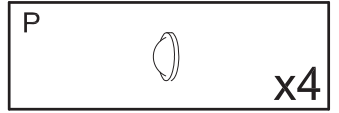
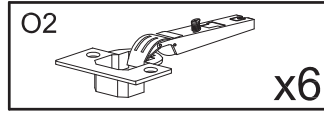
L18

3,5x20 mm.

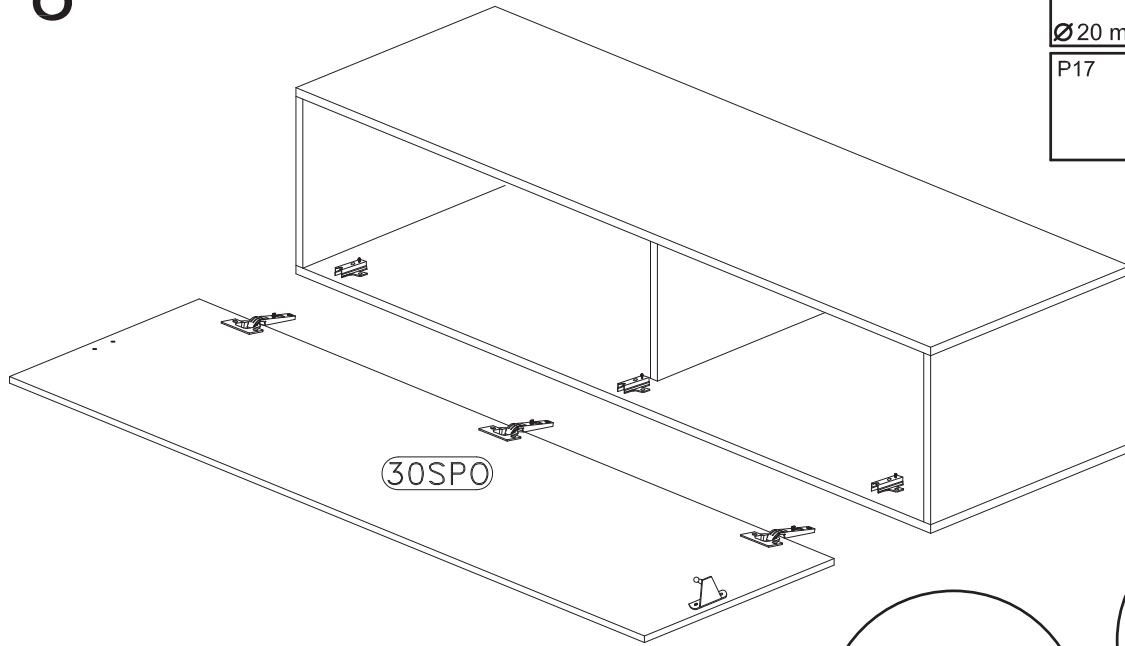
x10


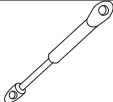


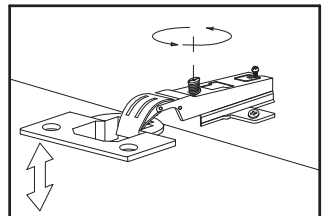
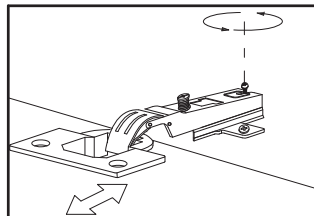
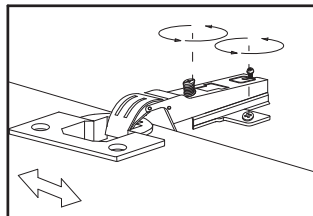
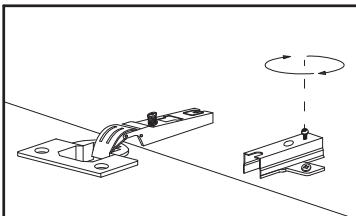
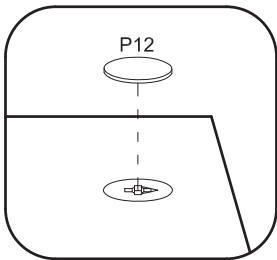
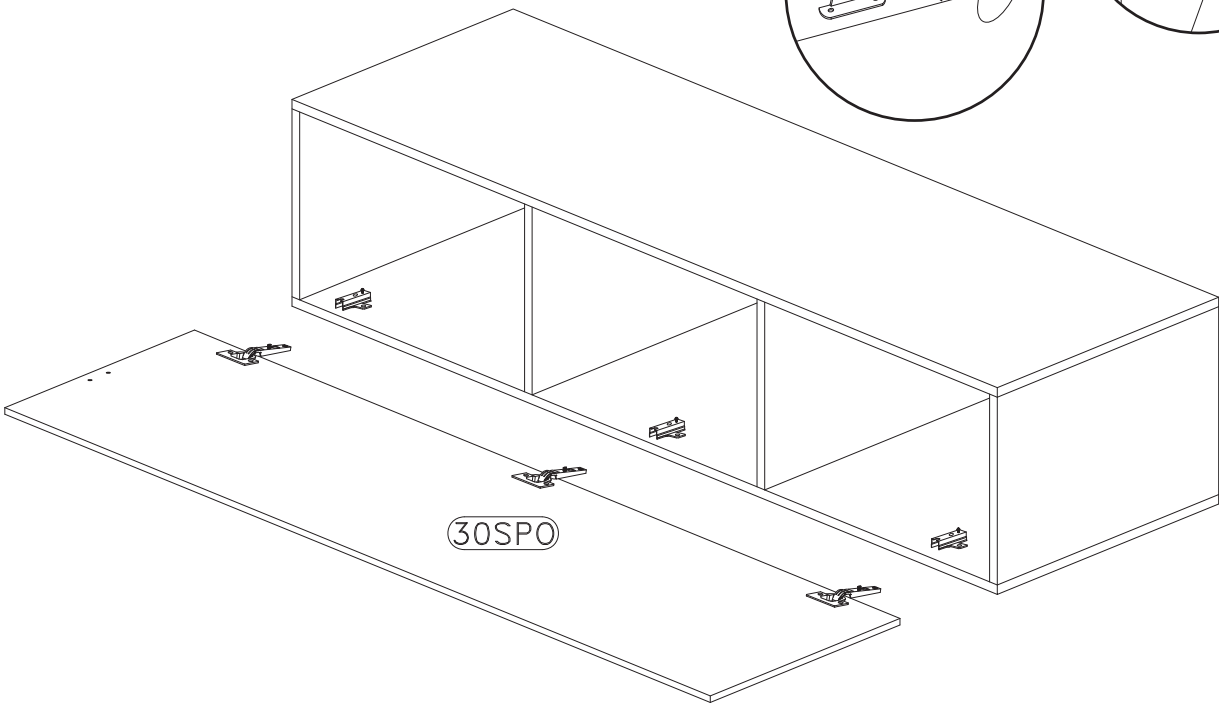
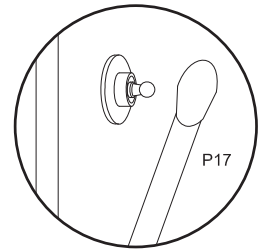
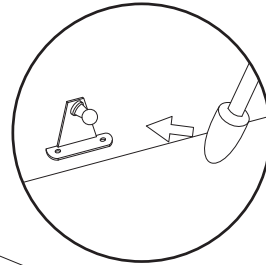
7

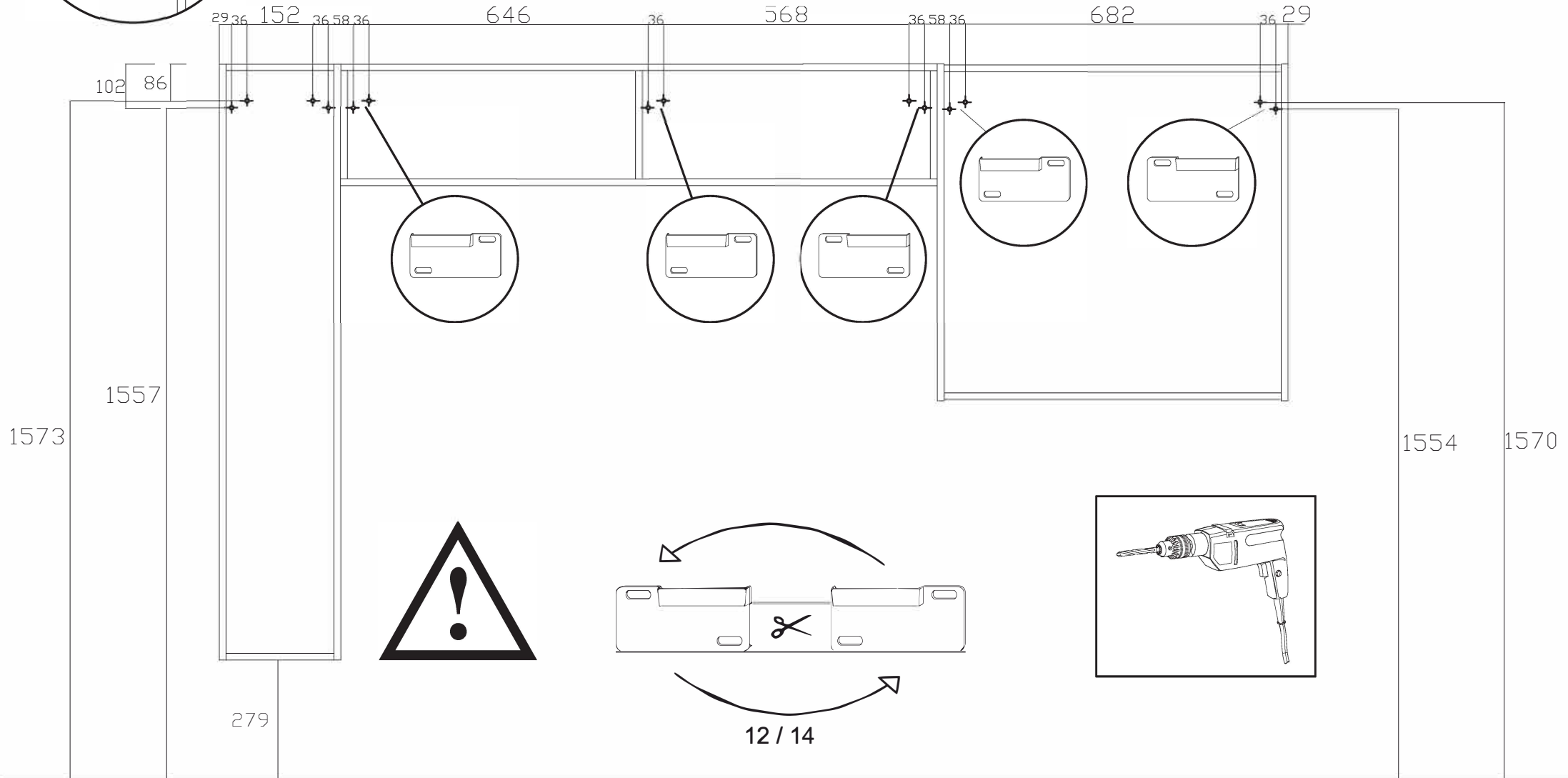
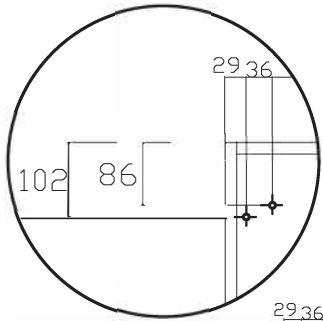


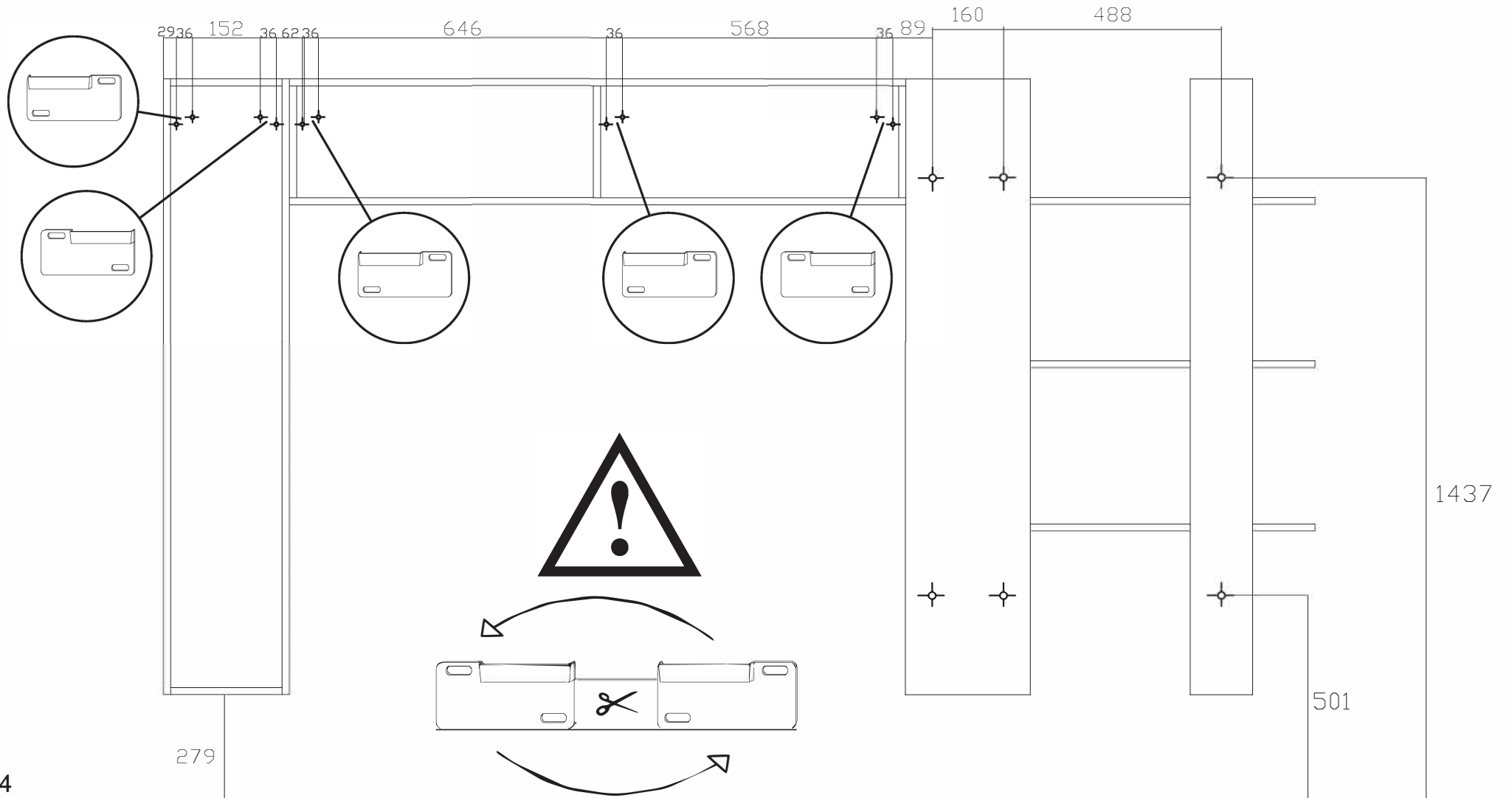
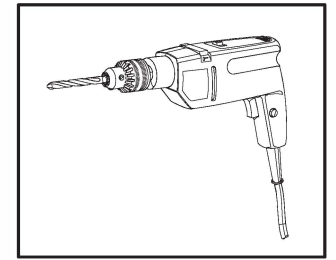
8



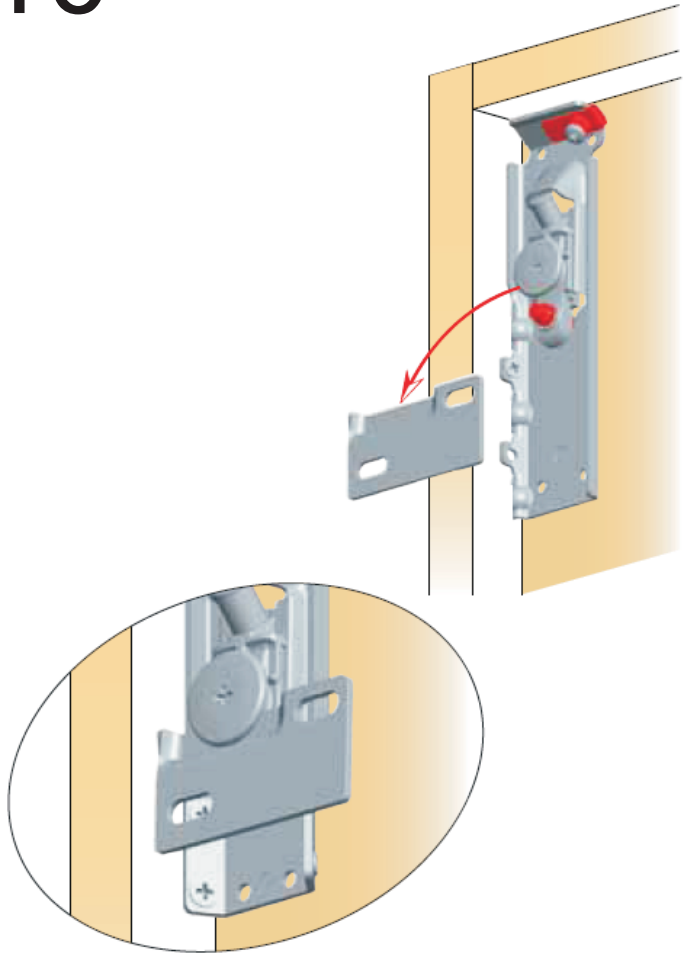
P12		x30
Ø20 mm.		
P17		x1



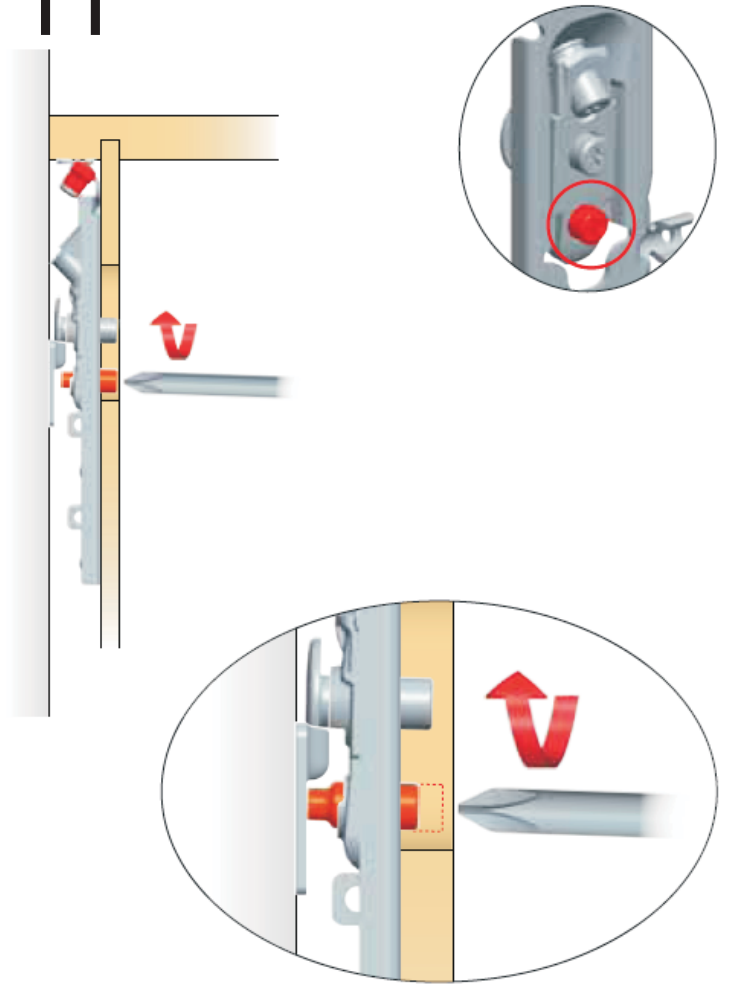




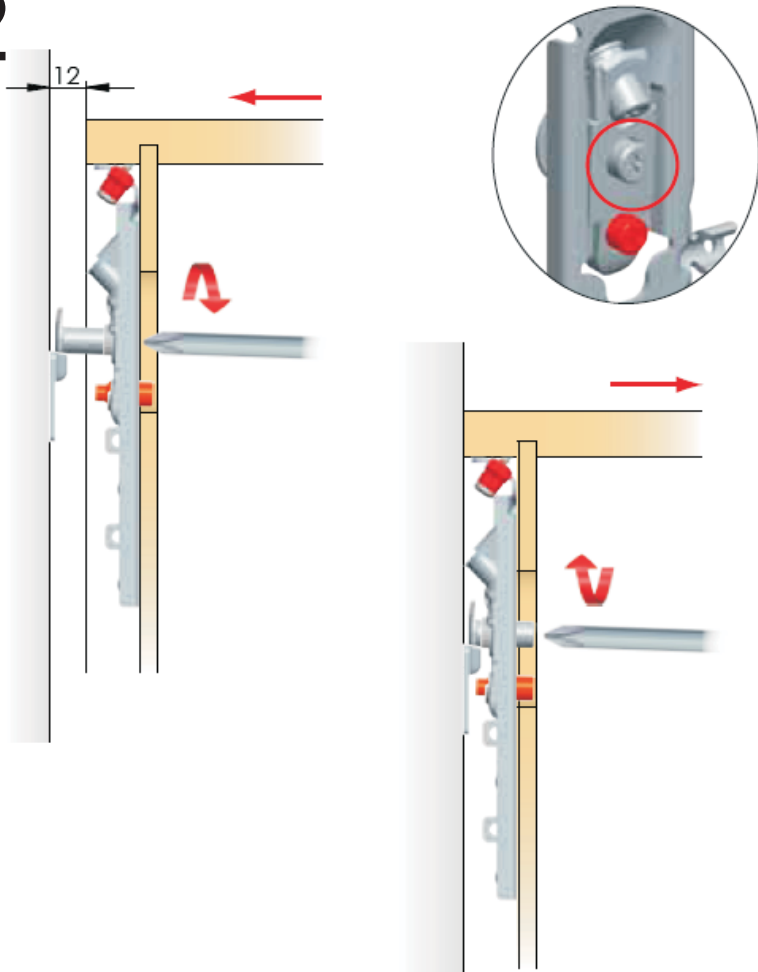
10



11



12



13

